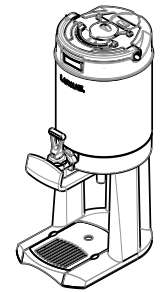
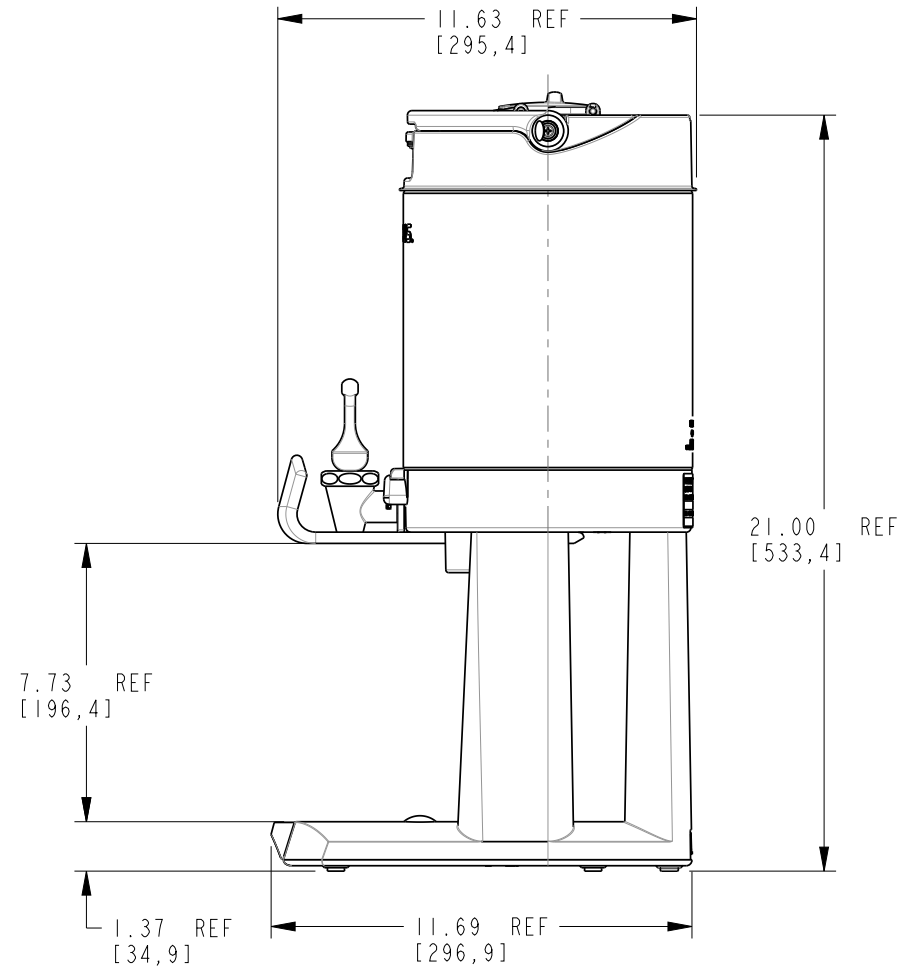
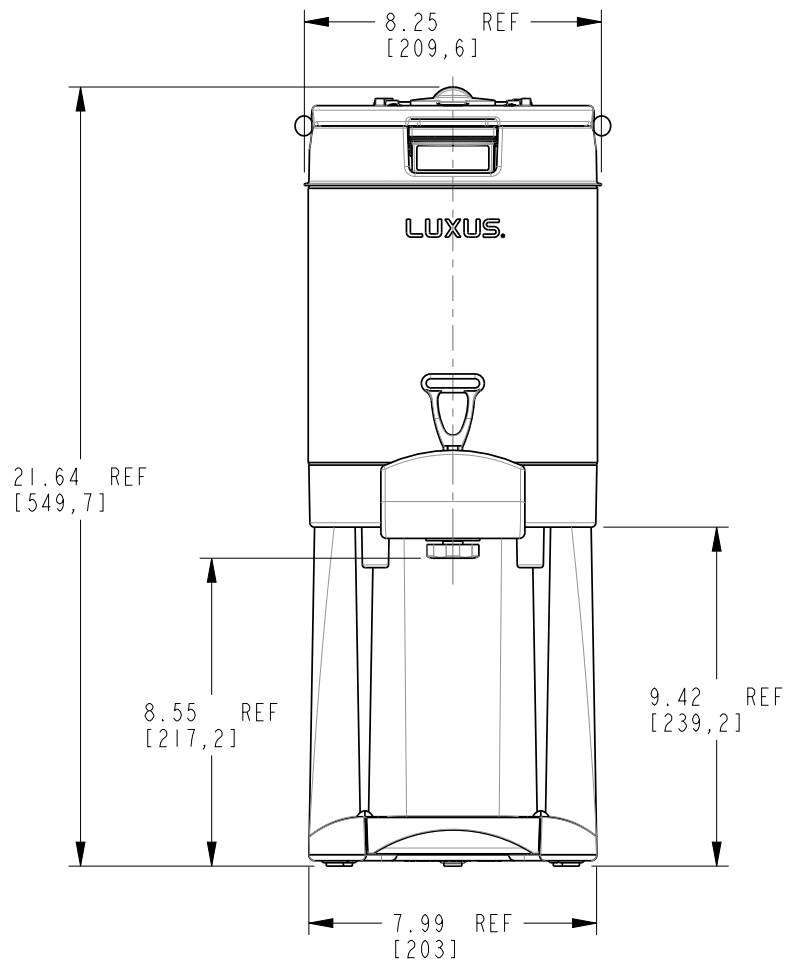


NOTE:
DIMENSION IN PARETHESIS ARE METRIC



SCALE 0.063



ROUGH IN SPECIFICATION, L4D-10
FETCO P/N: 1201.00026.00
 (SCALE: .188)

(REF. ASS'Y.: 1101.00329.00)